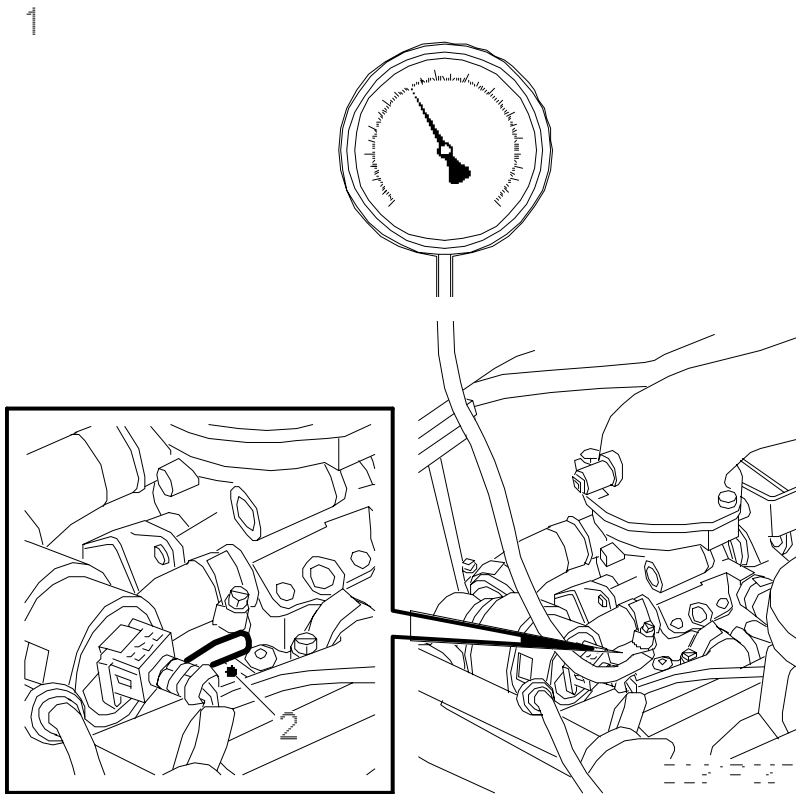


Checking basic charging pressure, on-road (B204L/E/R)

Important

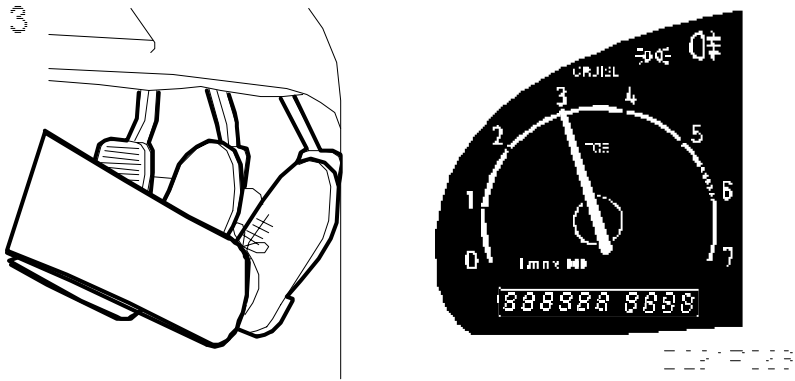
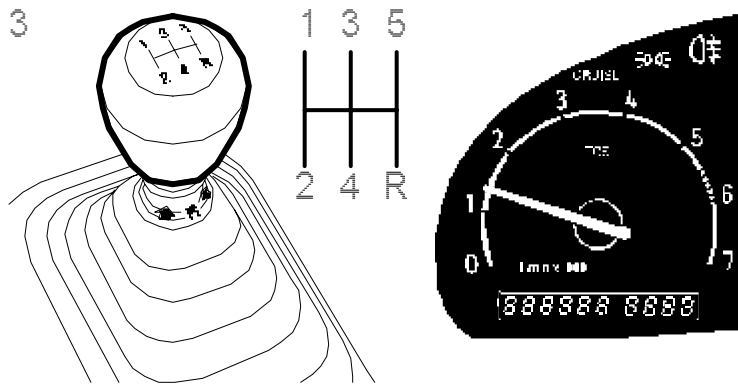
The engine should be thoroughly warmed up.

1. Position pressure gauge 83 93 514 vertically to reduce the risk of it giving incorrect readings.



2. Connect the pressure measuring equipment to the intake manifold.
- 3.

Accelerate at full throttle in 3rd gear and engine speed below 1500 rpm. Apply the brakes once the engine speed approaches 3000 rpm while keeping the accelerator pedal depressed so that full load is attained at 3000 rpm. Take a basic charging pressure reading on the pressure gauge. If the basic charging pressure is outside tolerances, see ➔.



4. Remove the pressure measuring instrument and carry out adaptation of the boost pressure.