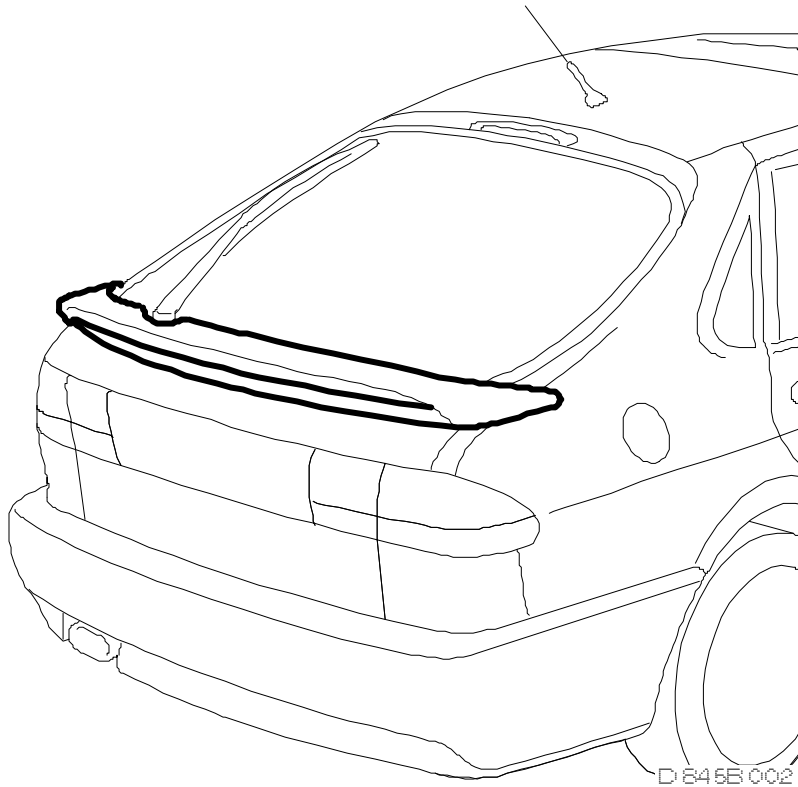


SERVICE INFORMATION

Bulletin Nbr: 845-2282

Date:.....Januari 2001

Market: AT, AU, BE, CA, CH, CR, DE, ES, FI, FR, GB, GR, HK, HU, IE, IT, JP, NL, NO, PL, PT,
RU, SE, TR, TW, US, ZA**Rear spoiler vibrates and rattles****Cars affected**

Saab 9-3 Viggen from M99 to M01 VIN 17016680.

Background

The outer mountings of the rear spoiler can warp, causing the spoiler to vibrate. This causes rattles and can damage the paintwork of the boot lid.

Symptom description

Rattles and vibrations from the rear spoiler.

Parts required

(16) 30 15 815 Teroson FL T875, enough for 50 cars

54 05 469 Fitting kit, rear spoiler (CA: 30588784)

The fitting kit contains:

Double-sided tape

4 Washers M5 x 15 x 1

1 Rear spoiler mounting, V

1 Rear spoiler mounting, H

4 Bolts

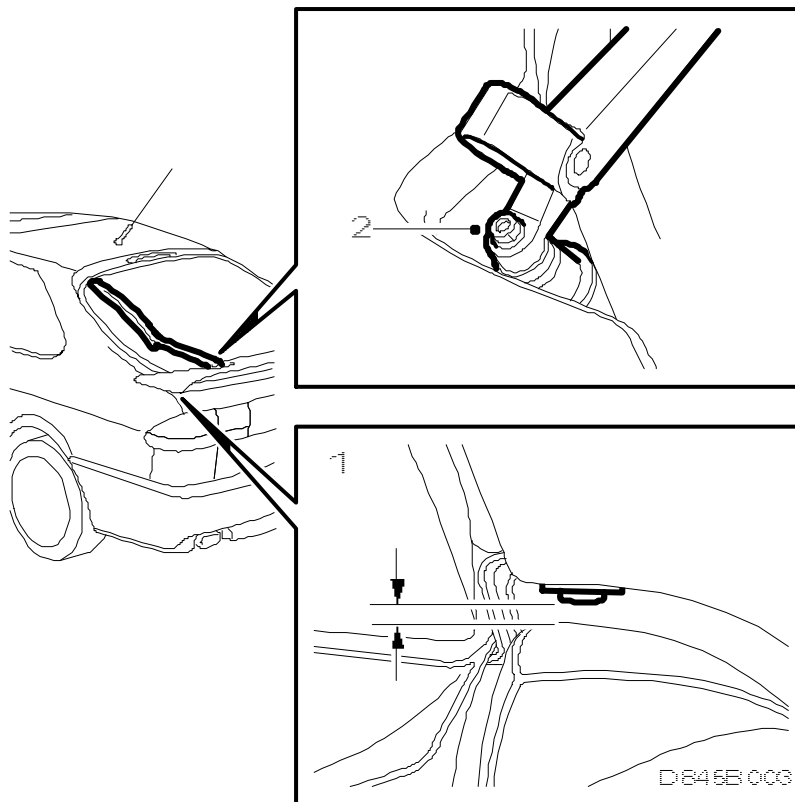
2 Washers, round

2 Foam rubber dampers

2 Lock nuts

Tape

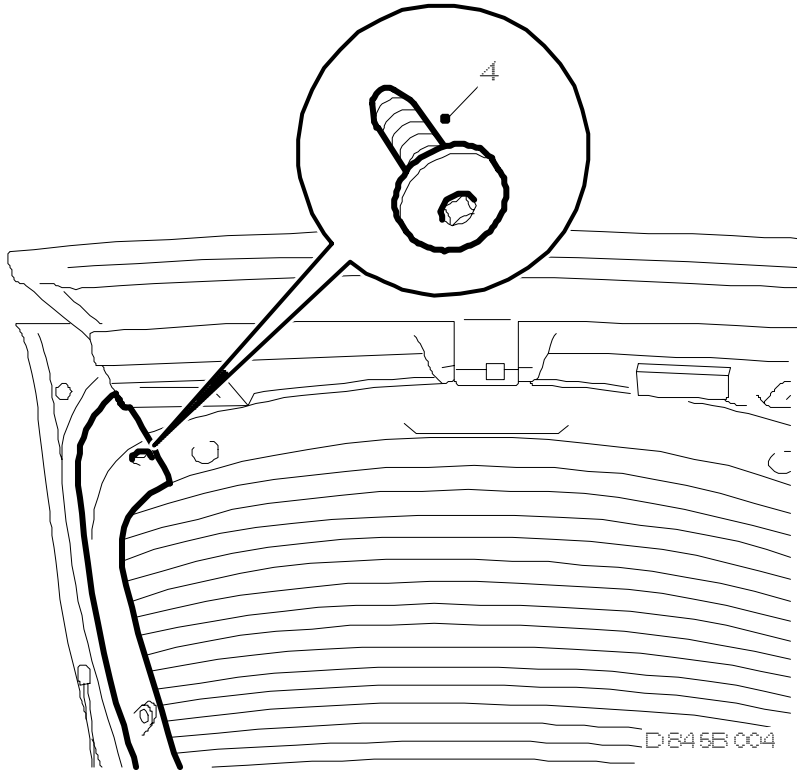
Procedure



1. To avoid problems after fitting the spoiler, check that the bolts of the outer mounting do not rub against the rear fenders. If the bolts lie too near the fenders, adjust the boot lid. See WIS group 8, "Doors and locks", Adjusting, replacing, "Bumper control, boot lid".

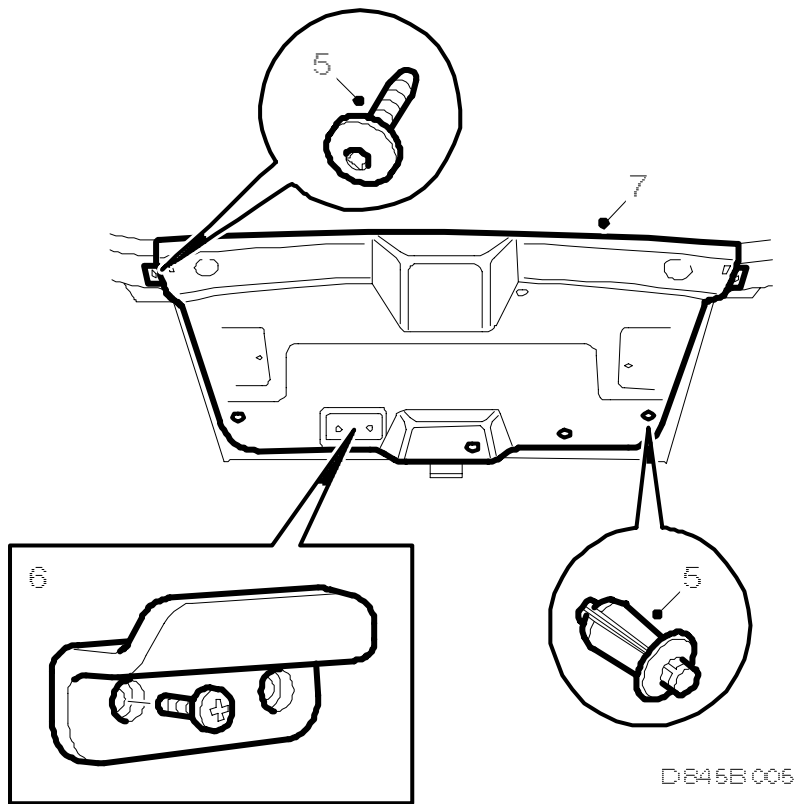
Check that the lid support is correctly adjusted, i.e. lies against the body support.

2. Remove the wiper arm on the boot lid.
3. Open the boot lid and remove the parcel shelf.
4. Detach the window frame trim from the upholstery (fastened with a screw and clip).



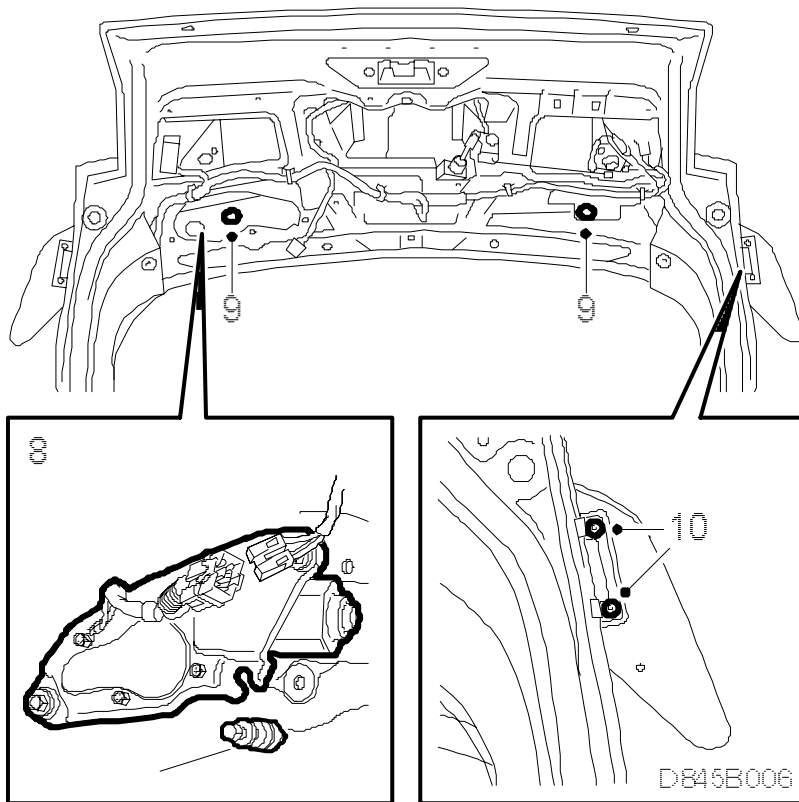
5.

Remove the upholstery screws and clips.



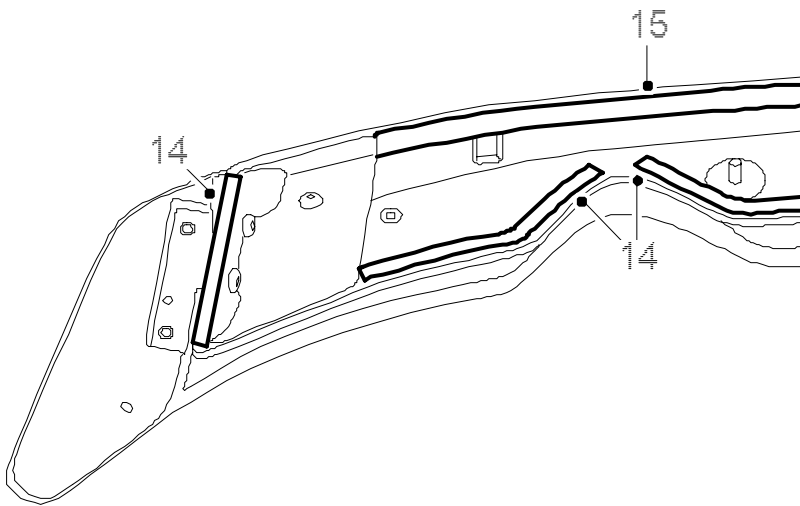
6. Remove the door pull.
7. Remove the boot lid trim.
- 8.

Remove the wiper motor.



9. Loosen the two nuts that hold the spoiler on the boot lid.
10. Remove the four outer bolts from the spoiler's outer mounting. Remove the mounting.
11. Lower the boot lid and lift off the spoiler.
12. Remove the old tape from the front edge of the spoiler and clean the surface.
- 13.

Cut new pieces of double-sided tape in appropriate sizes.



D845B007

14. Fit double-sided tape to the spoiler. See illustration. Leave an opening for water to drain at the socket for the wiper arm.

Note

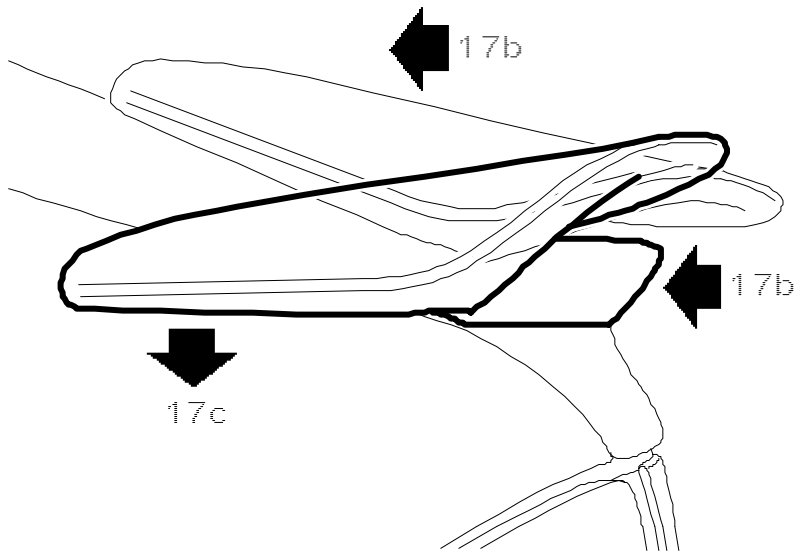
Be careful when placing the tape down so it does not stick out.

15. Check that the tape pieces on the back edge of the spoiler are complete and in place. Replace as necessary.

16. Pull off the remaining tape from the boot lid and clean the lid thoroughly.

- 17.

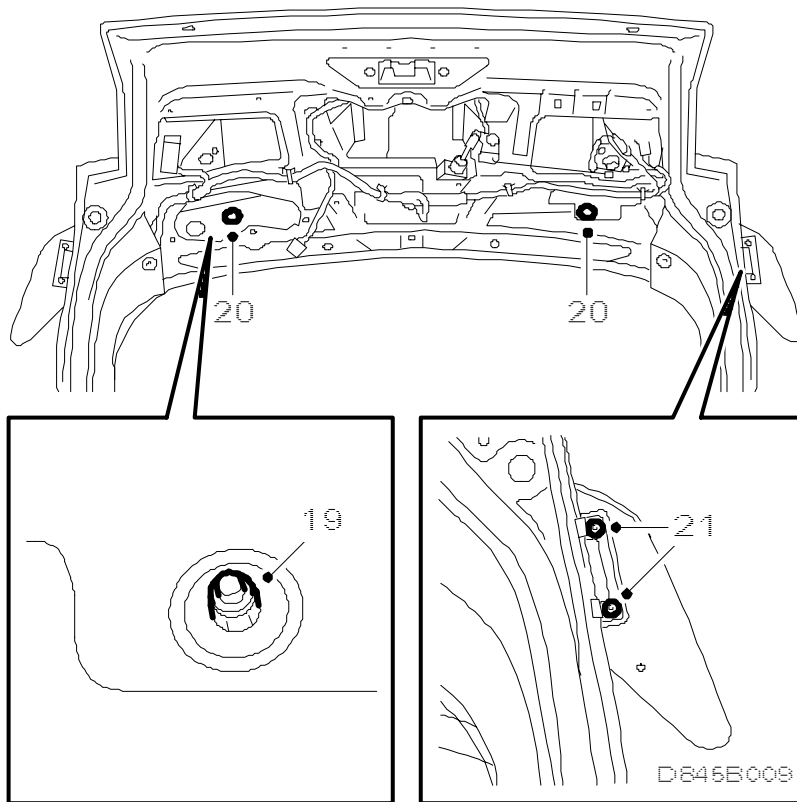
Fit the spoiler as follows:



D 845B008

- 17.a. Remove the protective plastic from the double-sided tape on the spoiler's front edge and the sides.
 - 17.b. Place the back edge of the spoiler so that the bolts are over the holes, but do not apply the double-sided tape.
 - 17.c. Press the spoiler forward and secure the front part. Press the front edge of the spoiler additionally so that the double-sided tape makes good contact and adheres properly.
18. Check that the spoiler is symmetrical in relationship to the lower moulding of the rear window.
 - 19.

Open the boot lid and place the foam rubber dampers on washers M6 (2) and fit them to the two bolts of the spoiler.



20. Attach the nuts (2).

Tightening torque: 4.5 Nm (3.3 lbf ft)

21. Fit the spoiler's new outer mountings with nuts and washers.

Tightening torque: 5 Nm (3.7 lbf ft)

Note

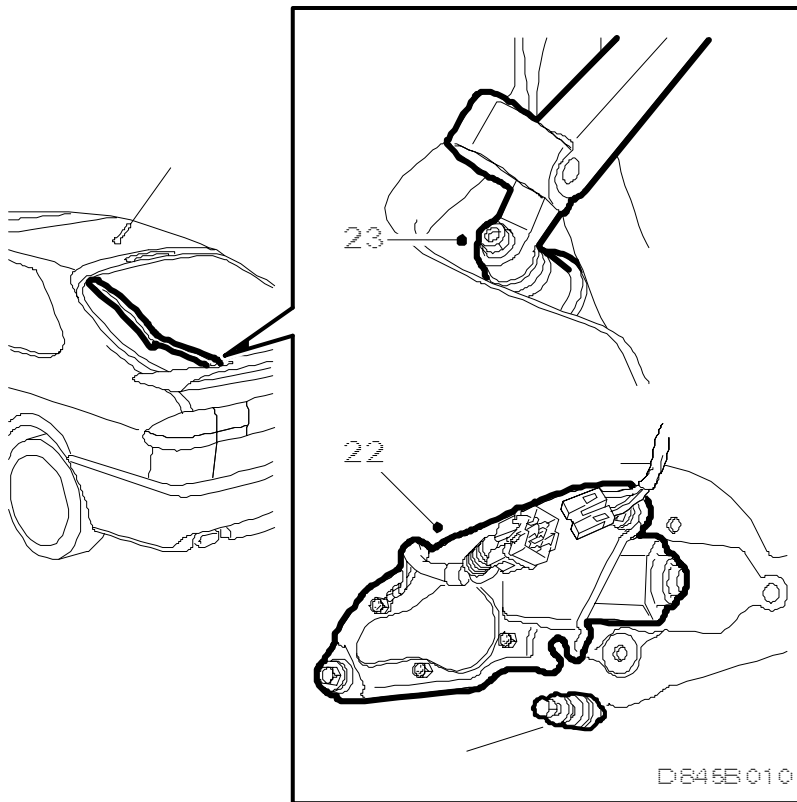
Do not mix up the right and left mounting. L = left and R = right.

Important

The washers mean that the bolt heads protrude further and are thus closer to the painted surface of the rear wings. It is vital that the tailgate or bootlid is correctly adjusted to avoid the bolts damaging the paintwork.

22.

Fit the wiper motor and attach the connector.

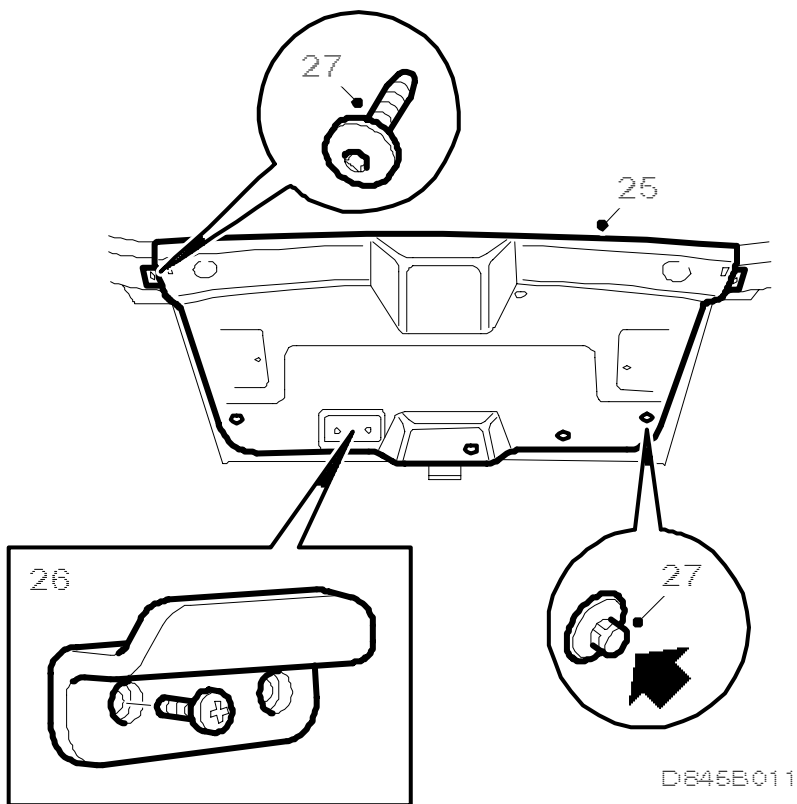


23. Close the lid and fit the wiper arm.

24. Check that the wiper arm is situated correctly.

25.

Open the lid and fit the upholstery.

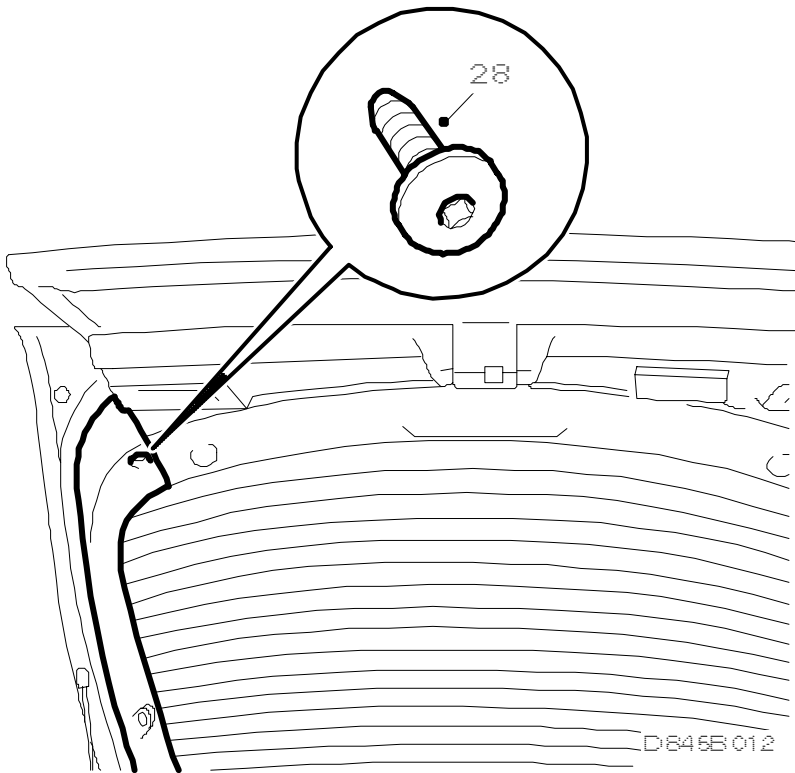


26. Fit the door pull.

27. Fit the upholstery screws and clips.

28.

Fit the window frame trim over the upholstery (attach with screw and clip).



29. Refit the parcel shelf.

Time/Warranty information

To resolve a customer complaint for a vehicle **in warranty**, submit a claim using the following information:

Failed Object: 84620-08

Fault/Reason code: 78

Location code: 09 (US=0)

Warranty Type (US): 01

Repair/Action code: 05

Labour operation (US): Straight time (CA: B5608)

Time: 0.6